

MOTOPLASTIC, S.A.

Molí de la sal, 1 - 08403 Granollers (Barcelona) SPAIN

Tel. 34 93 849 06 33 - Fax 34 93 849 09 88

info@puig.tv - info@puigusa.com

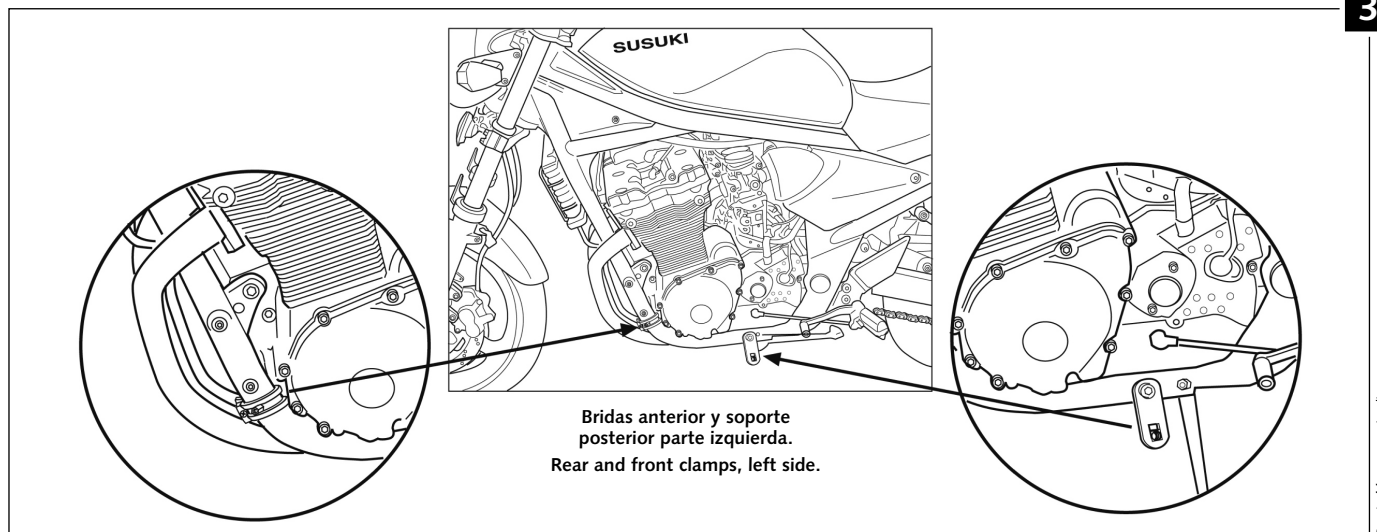
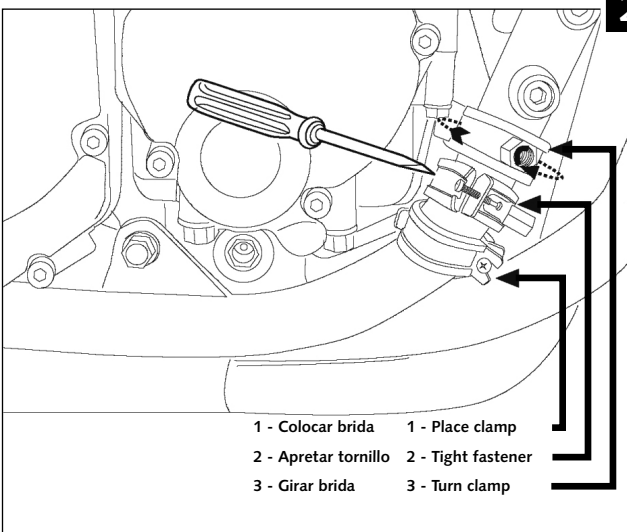
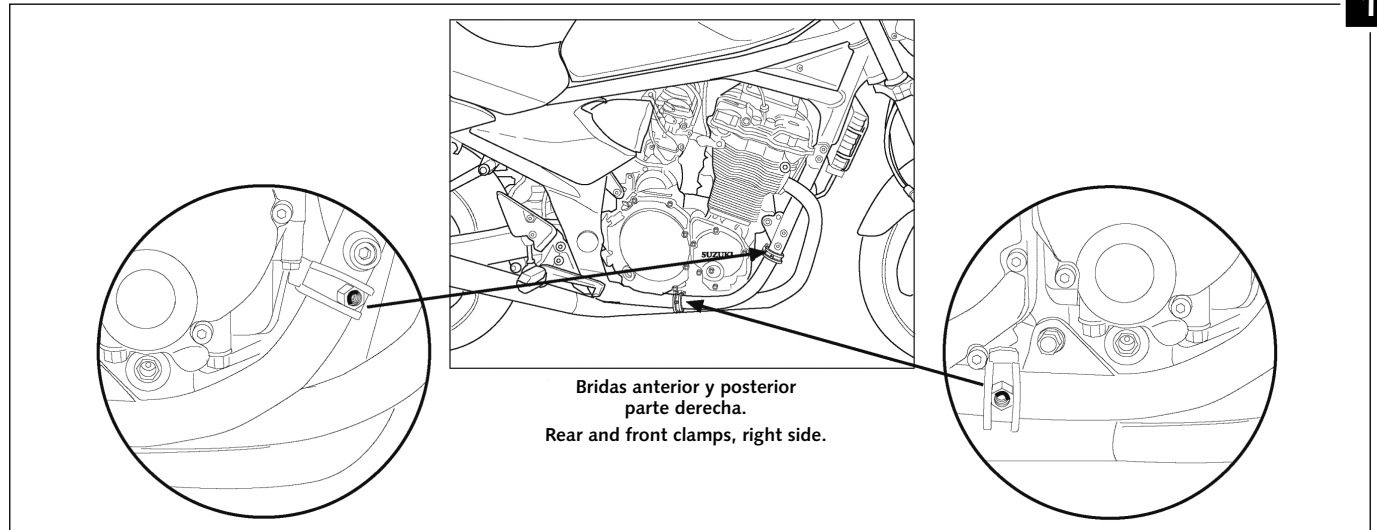
www.puig.tv - www.puigusa.com

INSTRUCCIONES DE MONTAJE - MOUNTING INSTRUCTIONS - MONTAGEANLEITUNG

QUILLA ADAPTABLE A – ENGINE SPOILER FOR – BUGSPOILER FÜR BANDIT GSF600/S'00-'04 - GSF650/S'05-'06

Ref.: 1689J
(color negro/black colour)

Ref.: 1689C
(color carbono/carbon look)



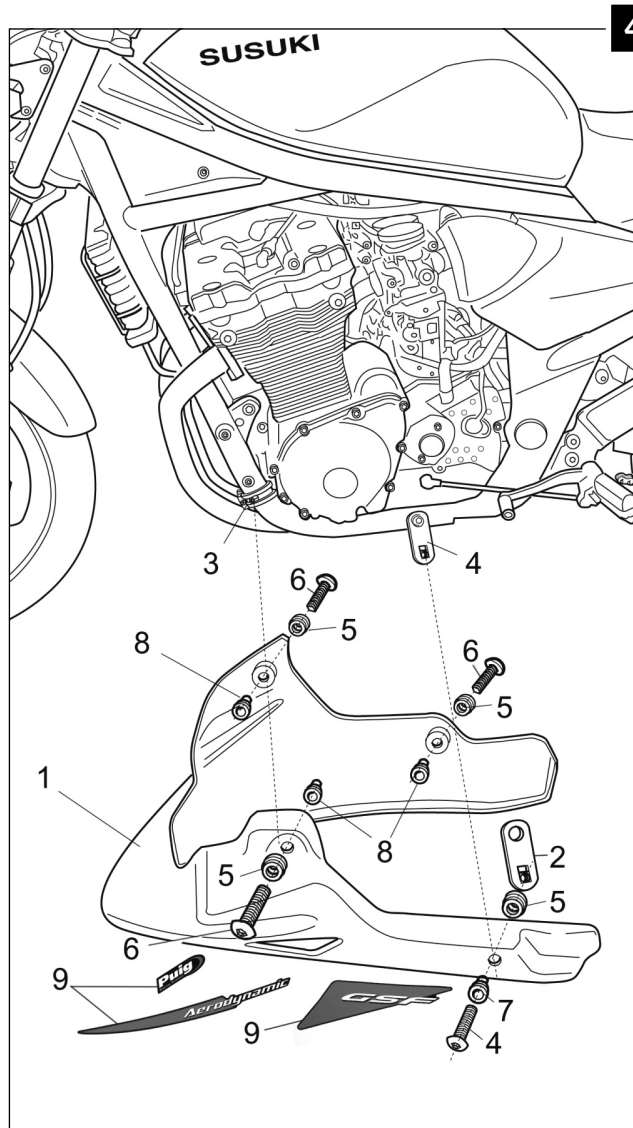
MOTOPLASTIC, S.A.

Molí de la sal, 1 - 08403 Granollers (Barcelona) SPAIN

Tel. 34 93 849 06 33 - Fax 34 93 849 09 88

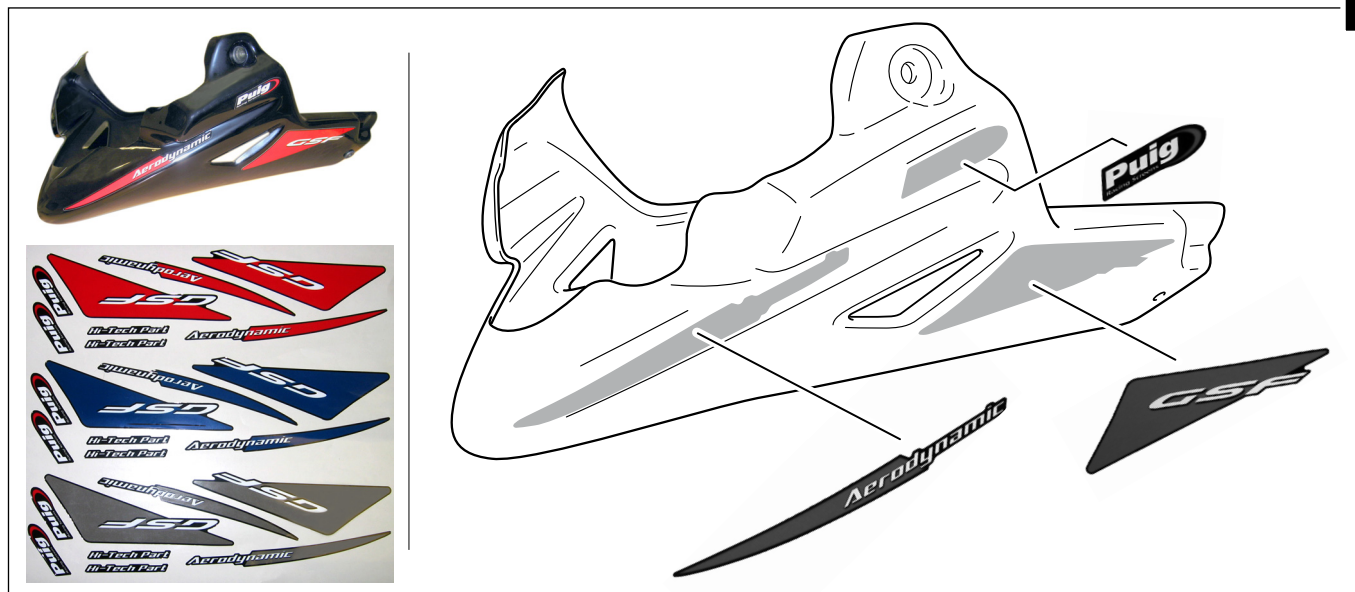
info@puig.tv - info@puigusa.com

www.puig.tv - www.puigusa.com



4

QUILLA ADAPTABLE A – ENGINE SPOILER FOR – BUGSPOILER FÜR BANDIT GSF600/S '00-'04 - GSF650/S '05-'06



5

ID.	DESCRIPCIÓN	DESCRIPTION	QTY.
1	Quilla	Engine spoiler	1
2	Soporte con tuerca enjaulada	Support with an inside nut	1
3	Bridas Ø35	Plastic bridle Ø35	3
4	Tornillo Allen M6x20 DIN 1001	Allen screw M6x20 DIN 1001	1
5	Silemblock (se suministra montado en la pieza1)	Silemblock (supplied already manted on the 1 piece)	4
6	Tornillo Allen M8x20 DIN 1001	Allen screw M8x20 DIN 1001	3
7	Casquillo con valona M6 parte interior (se suministra montado en la pieza 1)	M6 Cylinder with washer, interior part(supplied already mounted on piece #1)	1
8	Casquillo con valona M8 parte interior (se suministra montado en la pieza 1)	M8 Cylinder with washer, interior part (supplied already mounted on piece #1)	3
9	Conjunto adhesivos	Stickers set	1