



MODEL HONDA HORNET 600

YEAR 2007-->

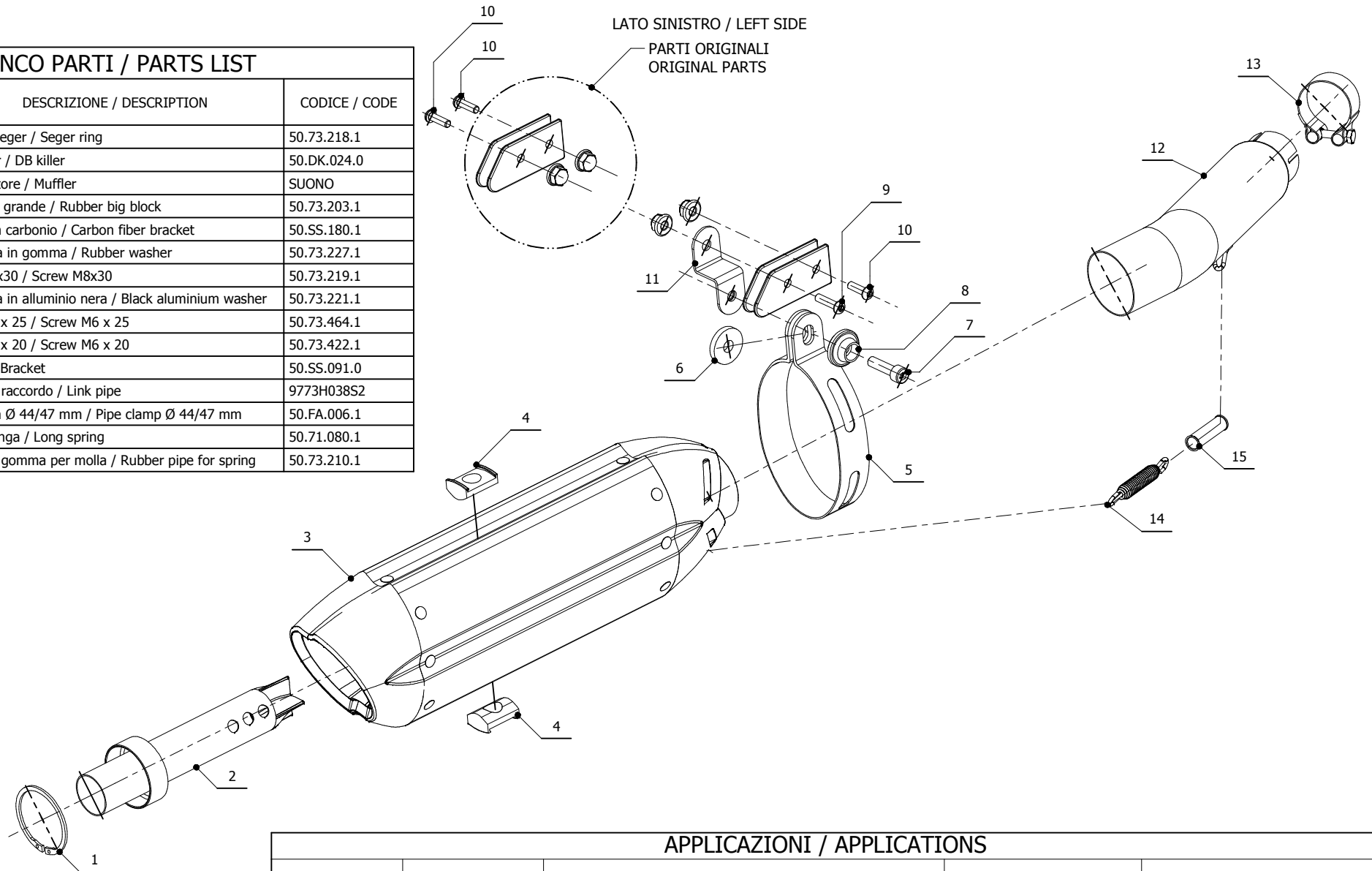
LINE SPORT

MUFFLER SUONO

SCHEMATIC

ELENCO PARTI / PARTS LIST

#	QTÀ / QTY	DESCRIZIONE / DESCRIPTION	CODICE / CODE
1	1	Anello Seger / Seger ring	50.73.218.1
2	1	DB killer / DB killer	50.DK.024.0
3	1	Silenziatore / Muffler	SUONO
4	2	Tassello grande / Rubber big block	50.73.203.1
5	1	Staffa in carbonio / Carbon fiber bracket	50.SS.180.1
6	1	Rondella in gomma / Rubber washer	50.73.227.1
7	1	Vite M8x30 / Screw M8x30	50.73.219.1
8	1	Rondella in alluminio nera / Black aluminium washer	50.73.221.1
9	1	Vite M6 x 25 / Screw M6 x 25	50.73.464.1
10	3	Vite M6 x 20 / Screw M6 x 20	50.73.422.1
11	1	Staffa / Bracket	50.SS.091.0
12	1	Tubo di raccordo / Link pipe	9773H038S2
13	1	Fascetta Ø 44/47 mm / Pipe clamp Ø 44/47 mm	50.FA.006.1
14	1	Molla lunga / Long spring	50.71.080.1
15	1	Tubo in gomma per molla / Rubber pipe for spring	50.73.210.1



APPLICAZIONI / APPLICATIONS

CODICE / CODE	TUBO / PIPE	SILENZIATORE / MUFFLER	FASCETTA / CLAMP	CODICE OMOL. / HOMOL. CODE
H.038.L7	INOX / ST. STEEL	INOX (COPPE CARBONIO) / ST. STEEL (CARBON CAPS)	CARBONIO / CARBON FIBER	ME047 e9 1356
H.038.L9	INOX / ST. STEEL	CARBONIO (COPPE CARBONIO) / CARBON (CARBON CAPS)	CARBONIO / CARBON FIBER	ME047 e9 1356