

# LITHIUM

LiFePO4

LITHIUM (LiFePO4) | High Performance

REF **BSLi-12**



12v

VOLTAGE

96Wh

ENERGY

440A

CCA

### TECHNOLOGY

- Lithium Iron Phosphate cells construction
- Pre-charged batteries
- Homologated by OEM

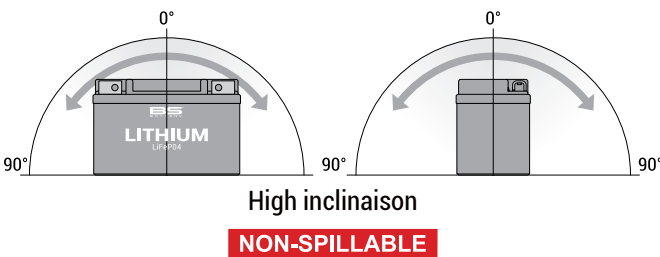
### FEATURES

- Fast charging
- Multi-positioning mounting
- Very safe and environmental friendly
- Extensive cycle life: over 2000 cycles
- Very low self-discharge
- Cold temperature performance
- Waterproof design
- Ready to use: just plug and play
- Robust brass terminals
- Heat resistance: up to 230 C°
- Lighter weight

### REPLACEMENTS

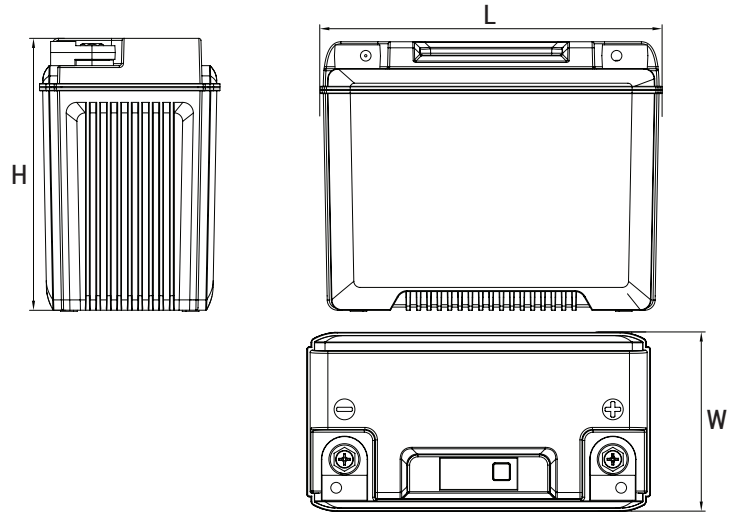
BTX30L-BS	B60-N24AL-B	52515	BTX18L
BB30L-B	12N24-3A	53030	BTX20L
BB30CL-B	12N24-3	BTX16L	BTX30L

### MOUNTING ANGLE



### DIMENSIONS & WEIGHT

Length (L): 165±1mm  
 Width (W): 86±1mm  
 Height (H): 130±2mm  
 Weight: 1.60kg (tolerance ±3%)



### TERMINALS

